

Title PCA10040 BLE nRF52832		Revision 1.2.0	
Size A4	Project Number 4403		
Date: 2017-12-03		Sheet 1 of 5	
File: BLE_nRF52832.SchDoc		Drawn By: RUBR	

1

2

3

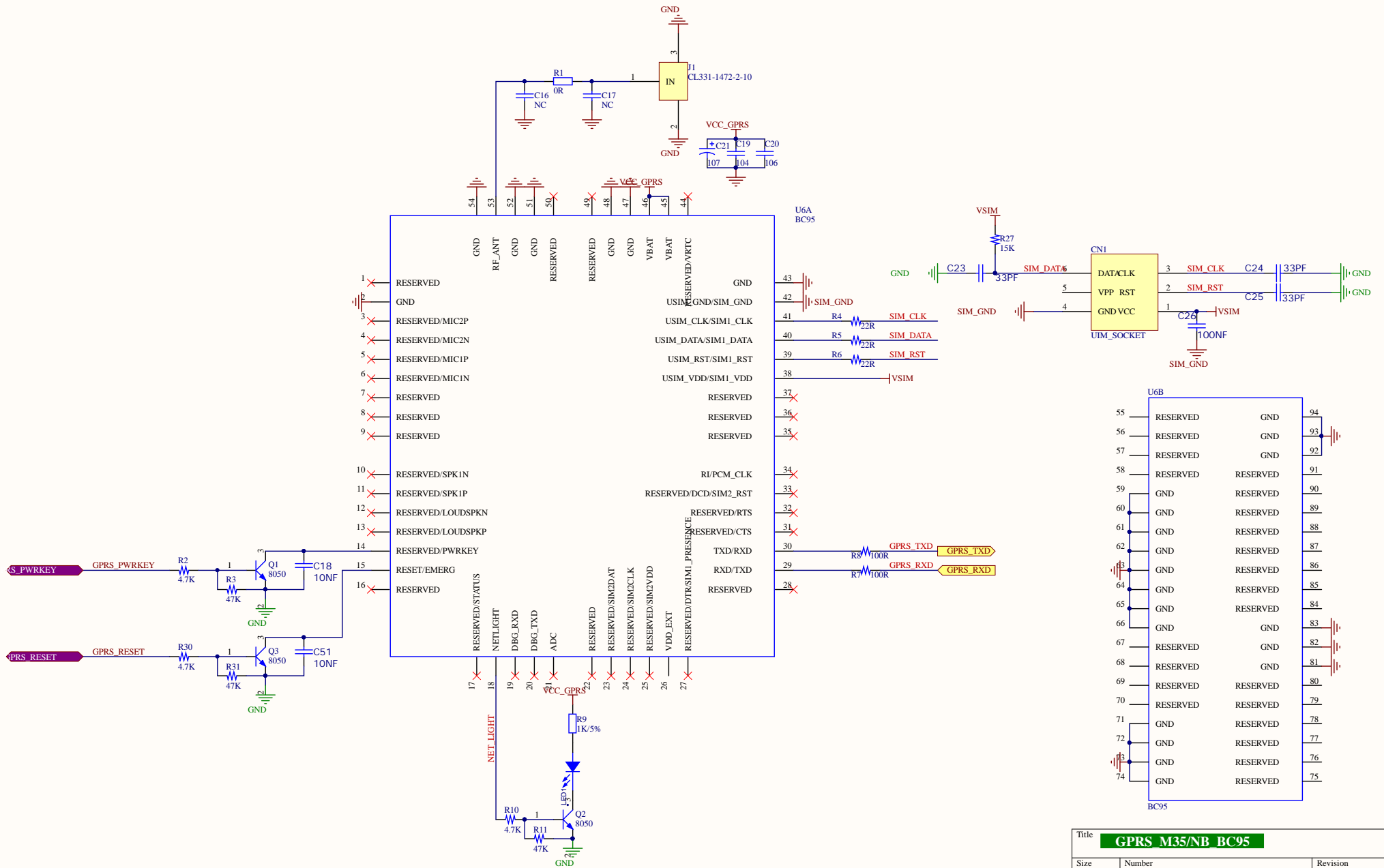
4

1

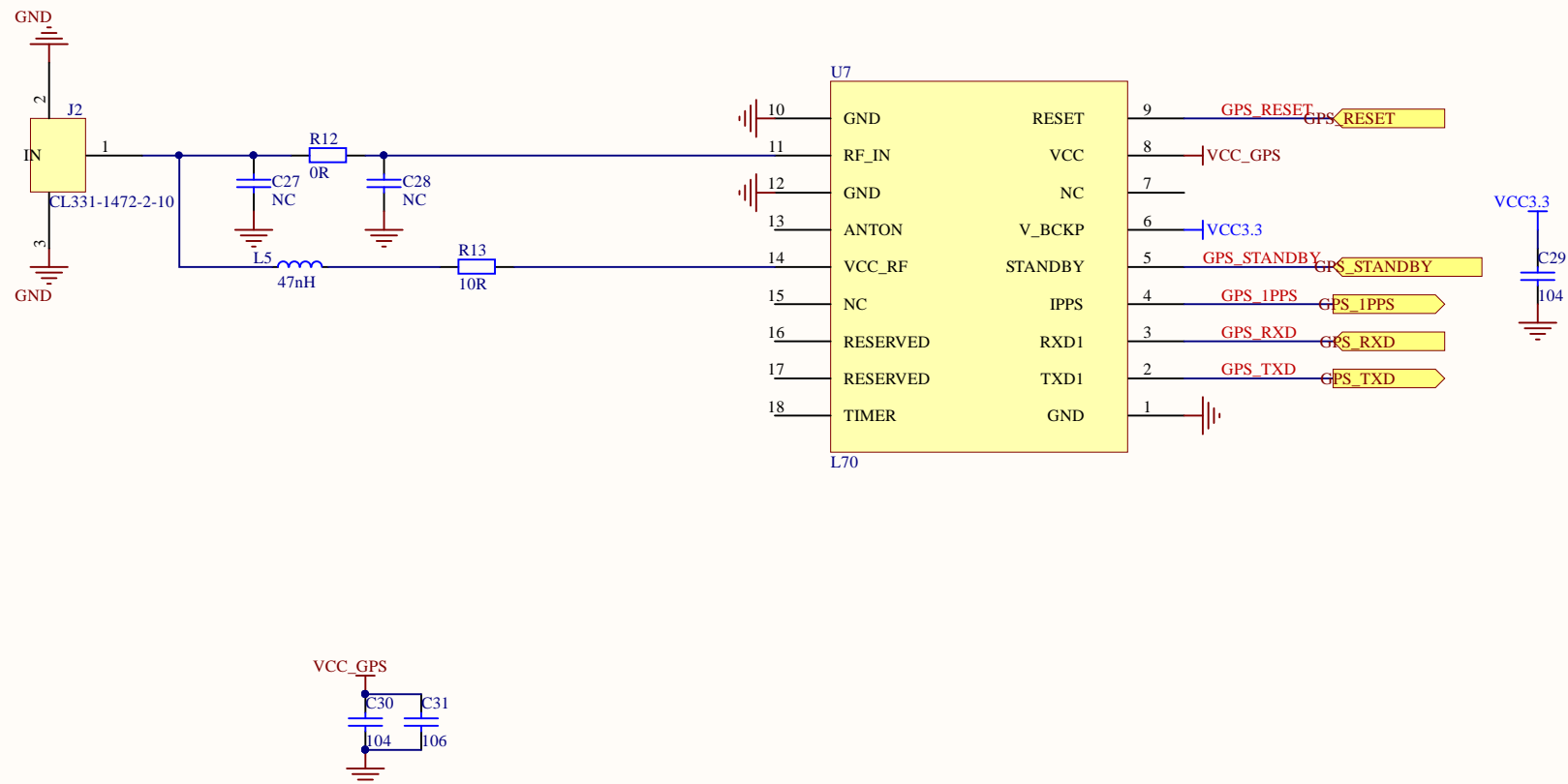
2

3

4



Title		
GPRS M35/NB BC95		
Size	Number	Revision
A3		
Date:	2018-03-22	Sheet of
File:	E:\Project\GPRS M35&BC95.SchDoc	Drawn By:



Title			GPS		
Size	Number		Revision		
A4					
Date:	2018-03-22		Sheet of		
File:	E:\Project\...\GPS_L70.SchDoc		Drawn By:		

1

2

3

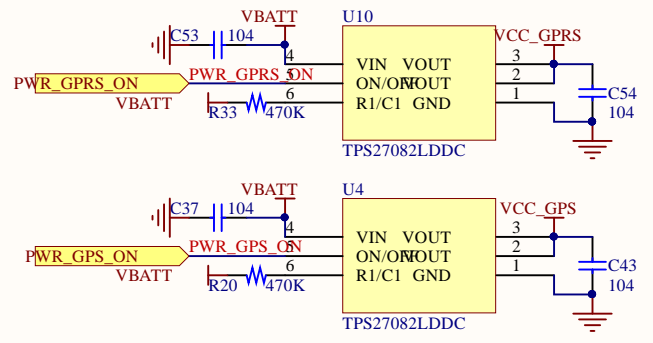
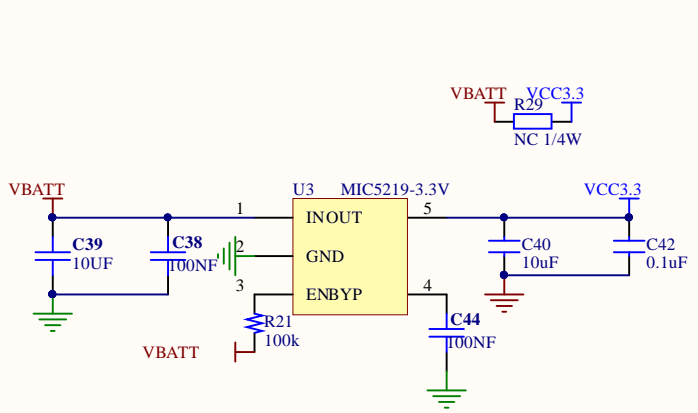
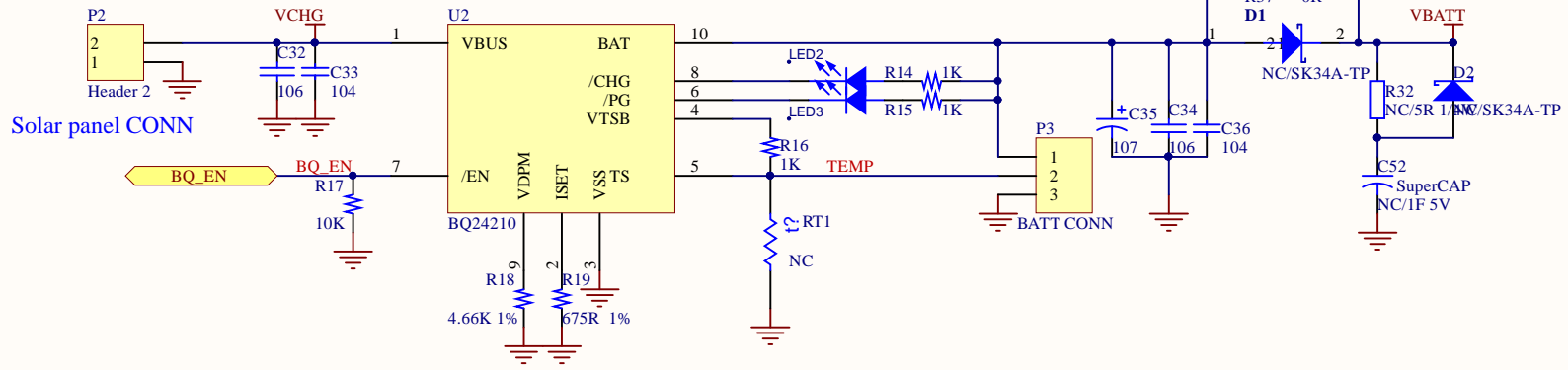
4

1

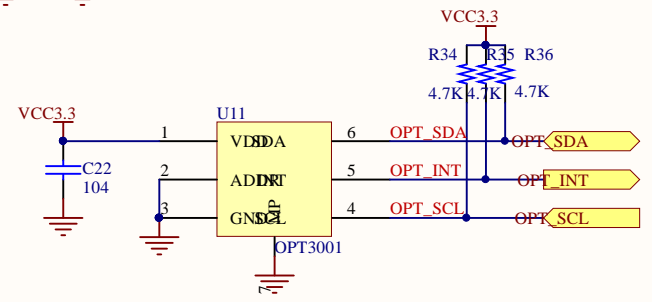
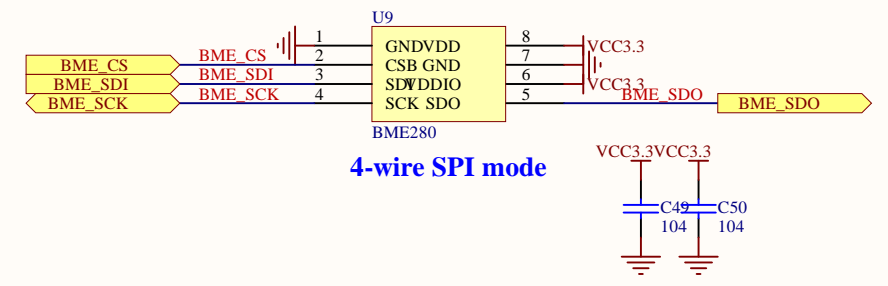
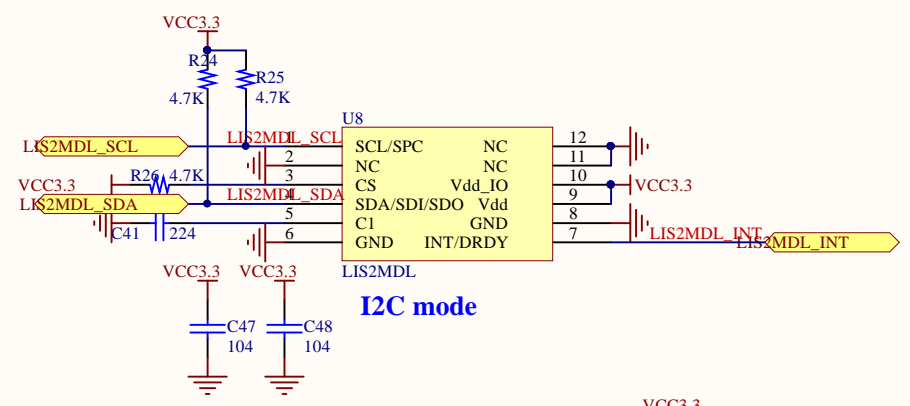
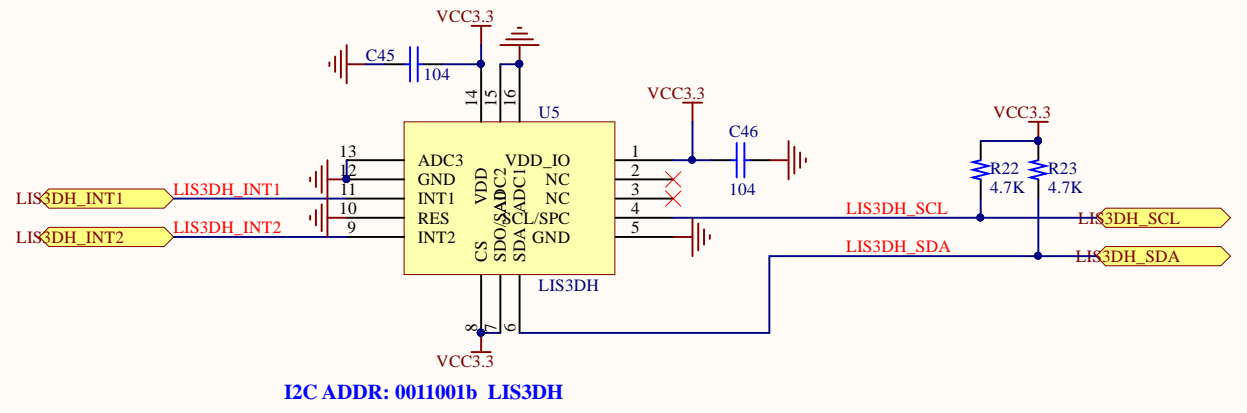
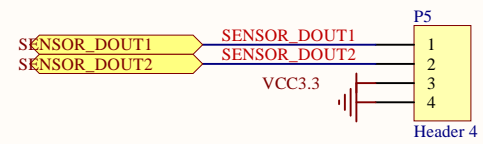
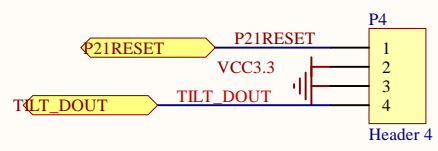
2

3

4



Title		
POWER		
Size	Number	Revision
A4		
Date:	2018-03-22	Sheet of
File:	E:\Project\..POWER.SchDoc	Drawn By:



Title			Sensor		
Size	Number		Revision		
A4					
Date:	2018-03-22		Sheet of		
File:	E:\Project\...\SENSOR.SchDoc		Drawn By:		