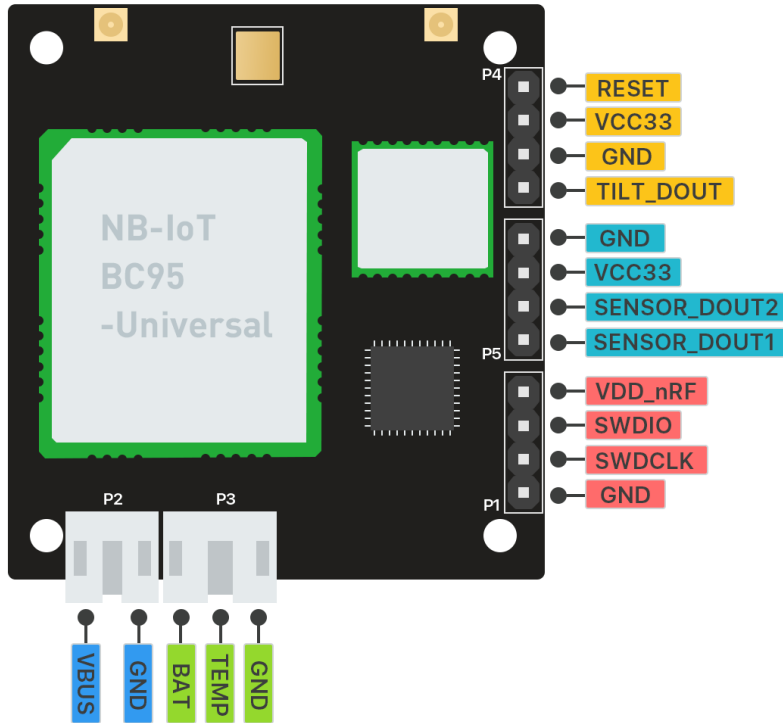


1. Pin definition



2. Espruino setup

2.1 Install espruino IDE

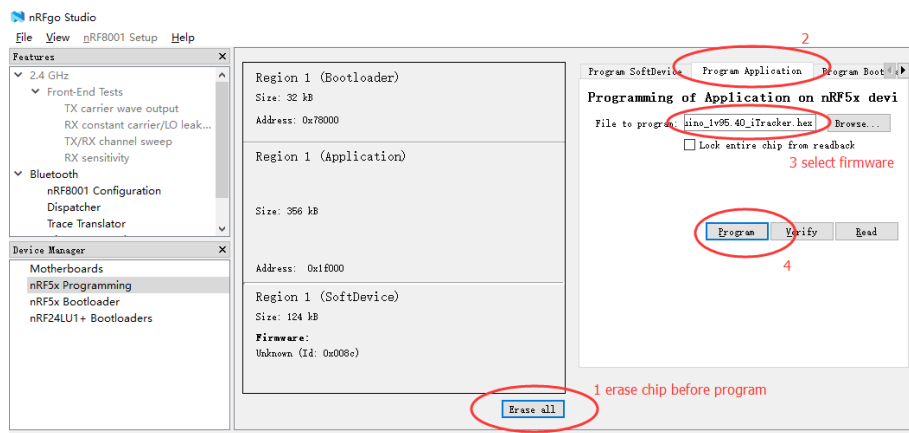
Below is the steps to install a espruino IDE.

<https://www.espruino.com/Web+IDE>

2.2 Burn espruino firmware

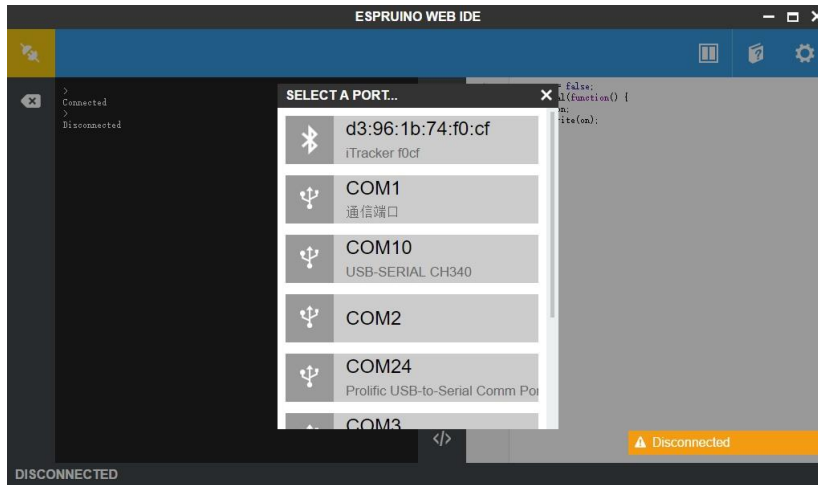
You can download the firmware from below link:

http://docs.rakwireless.com/en/RAK8211/Software%20Development/espruino_1v95.40_iTracker_hex



3. Espruino test

3.1 Connect iTracker via bluetooth



3.2 Sensor values read

