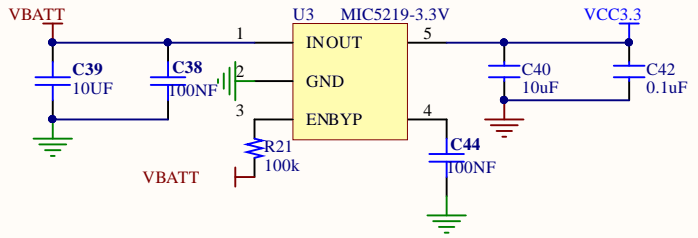
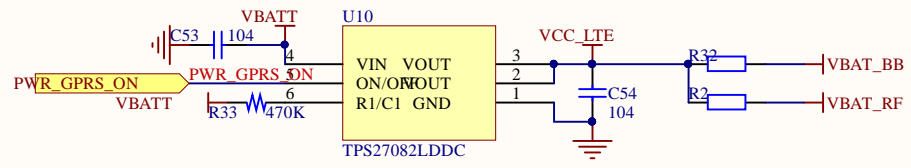
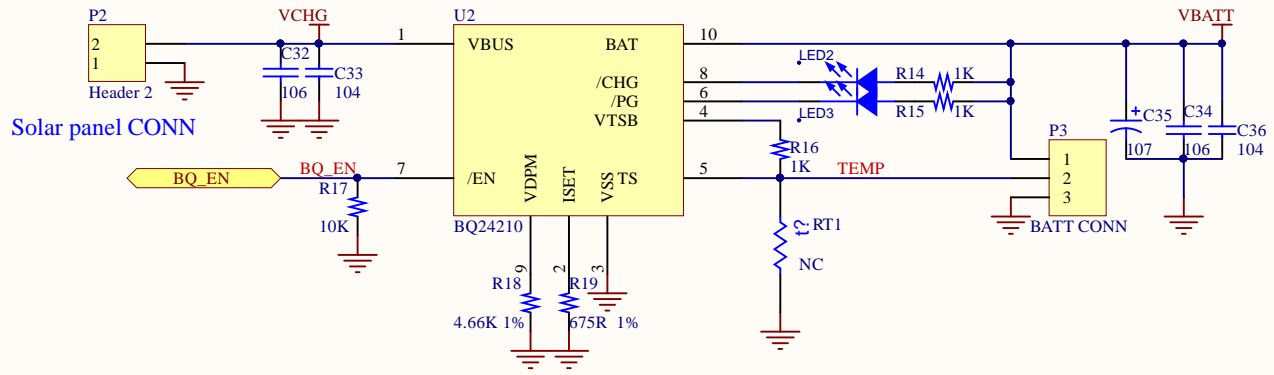
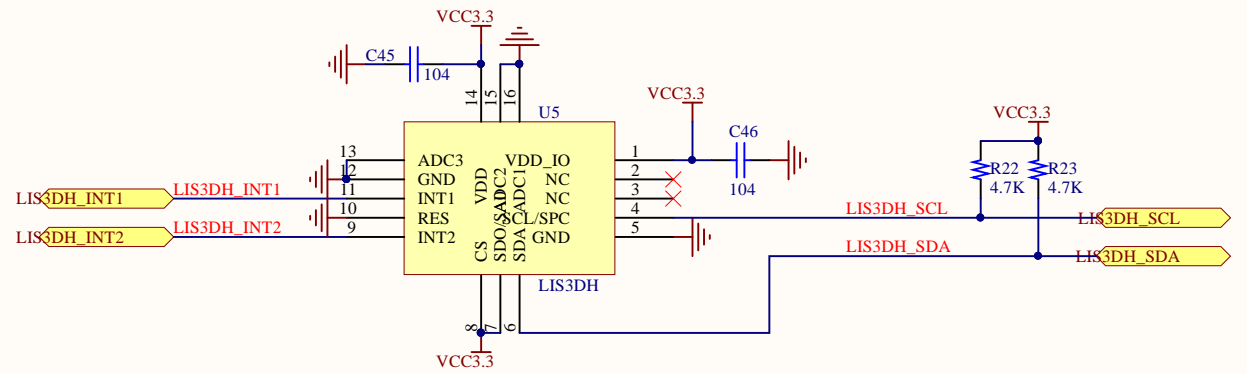
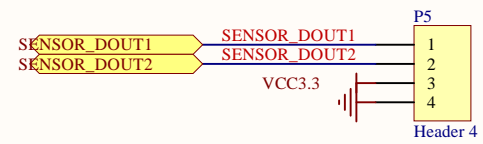
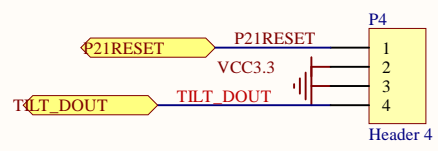


Title PCA10040 BLE nRF52832		Revision 1.2.0	
Size A4	Project Number 4403		
Date: 2018-02-01		Sheet 1 of 5	
File: BLE_nRF52832.SchDoc		Drawn By: RUBR	

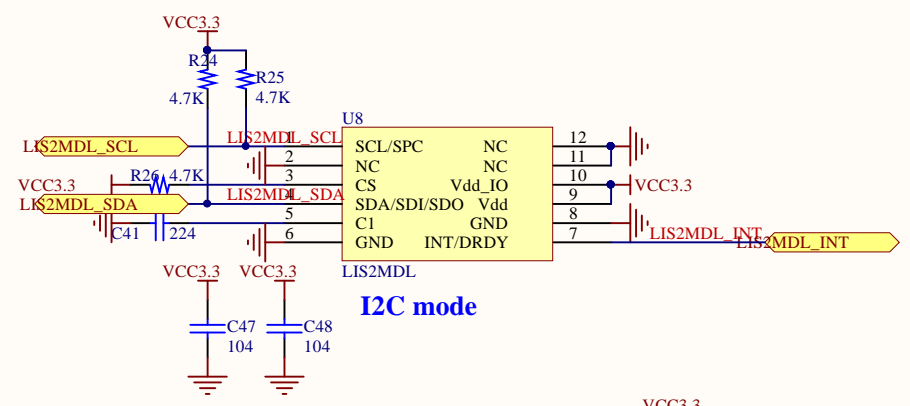




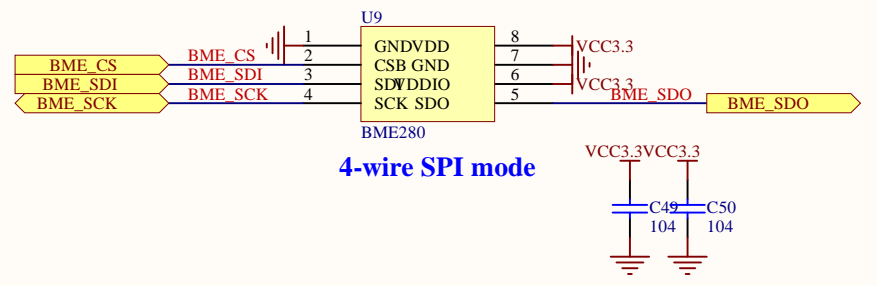
Title			<b>POWER</b>		
Size	Number		Revision		
A4					
Date:	2018-03-22		Sheet of		
File:	E:\Project\..POWER.SchDoc		Drawn By:		



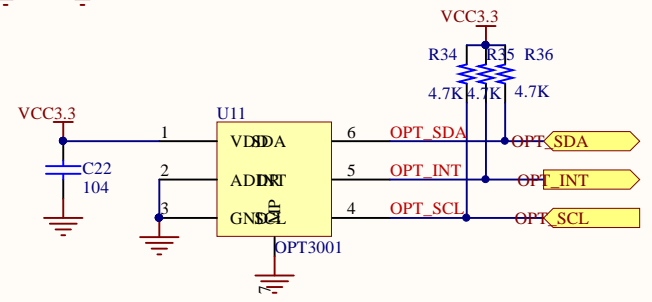
I2C ADDR: 0011001b LIS3DH



I2C mode



4-wire SPI mode



Title			Sensor		
Size	Number		Revision		
A4					
Date:	2018-03-22		Sheet of		
File:	E:\Project\...\SENSOR.SchDoc		Drawn By:		