

Converter Board Installation instructions

1. Package Contents



2. Accessories Quantity

(1) Converter board X1



(2) M

Counting Accessories

- ①  X 4
- ②  M2.5X4
M3X 8
- ③  X 4
- ④  X 4

3. Steps

First:
SX1301 module and converter board installation



X 4



M3X8

Install above accessories refer to the following picture step by step.



Step 1 : Use ③ connect SX1301 module with converter board, totally one unite four pieces ;

Step 2 : Connect the 24pin female header on SX1301 module with the 24pin header on the converter board ;

Step 3/4 : Use M3 to fix the module and the converter board , total two units eight pieces.

Second:

The module and raspberry pi installation



X 4

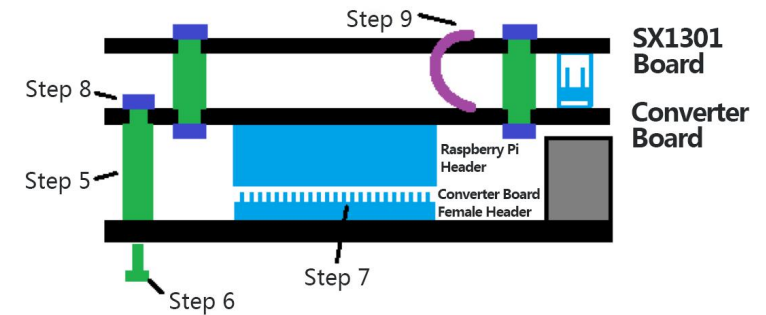


X 4



M2.5X4

Install above accessories refer to the following picture step by step.



Step 5: Place ④ into the raspberry pie mounting holes ;

Step 6 : Use ① to fix ④ ;

Step 7: Use ④ connect the converter board mounting hole , then connect the raspberry and converter board with the header on them, install and fix ;

Step 8 : Check step 7, make sure everything is ok , then use M2.5 screw nut fix ④ , totally one unite four pieces ;

Step 9: Connect the feeder on the converter board to the IPEX test seat of GPS_PPS position on the SX1301 module.

Then, installation completed.