

RAK3202&3203 WIFI Module

Design Compare v1.0

Shenzhen Rakwireless Technology Co., Ltd

www.rakwireless.com

info@rakwireless.com

© 2015 Rakwireless all rights reserved .

Mentioned in this document , the actual company and product names, trademarks are their respective owners.

After update the new version, this document without prior notice.

Content

Content.....	2
1. Hardware Design Compare	1
1.1 Pin Definition Compare.....	1
1.2 Design Reference	2
2. Contact information.....	4
3. Revision History.....	5

1. Hardware Design Compare

1.1 Pin Definition Compare

Table 1-1-1: Pin Definition Compare

Pin No.	Pin Name		Description
	RAK3202	RAK3203	
1	WLAN_ACITVE	NC	Note 3
2	BT_ACTIVE	WF_HOST_WAKE	Note 3
3	BT_PRIORITY	NC	Note 3
5	CHIP_PWD_L	CHIP_PWD_L	Reset module
6	SDIO_CMD	SDIO_CMD	SDIO command
7	SDIO_D3	SDIO_D3	SDIO data position 3
8	SDIO_D2	SDIO_D2	SDIO data position 2
9	SDIO_D1	SDIO_D1	SDIO data position 1
10	SDIO_D0	SDIO_D0	SDIO data position 0
11	SDIO_CLK	SDIO_CLK	SDIO clock line
12	1.8V	VDIO	Connect cap then connect GND
13	VDD3V3	VDD3V3	3.3V
19	RF_OUT	RF_OUT	RF OUT, Note2
20	MODE	GND	RAK3202: Setting chip operation mode , pull-up resistor is needed
18,21	GND	GND	GND
4,14,15. 16,17	NC	NC	NC

1.2 Design Reference

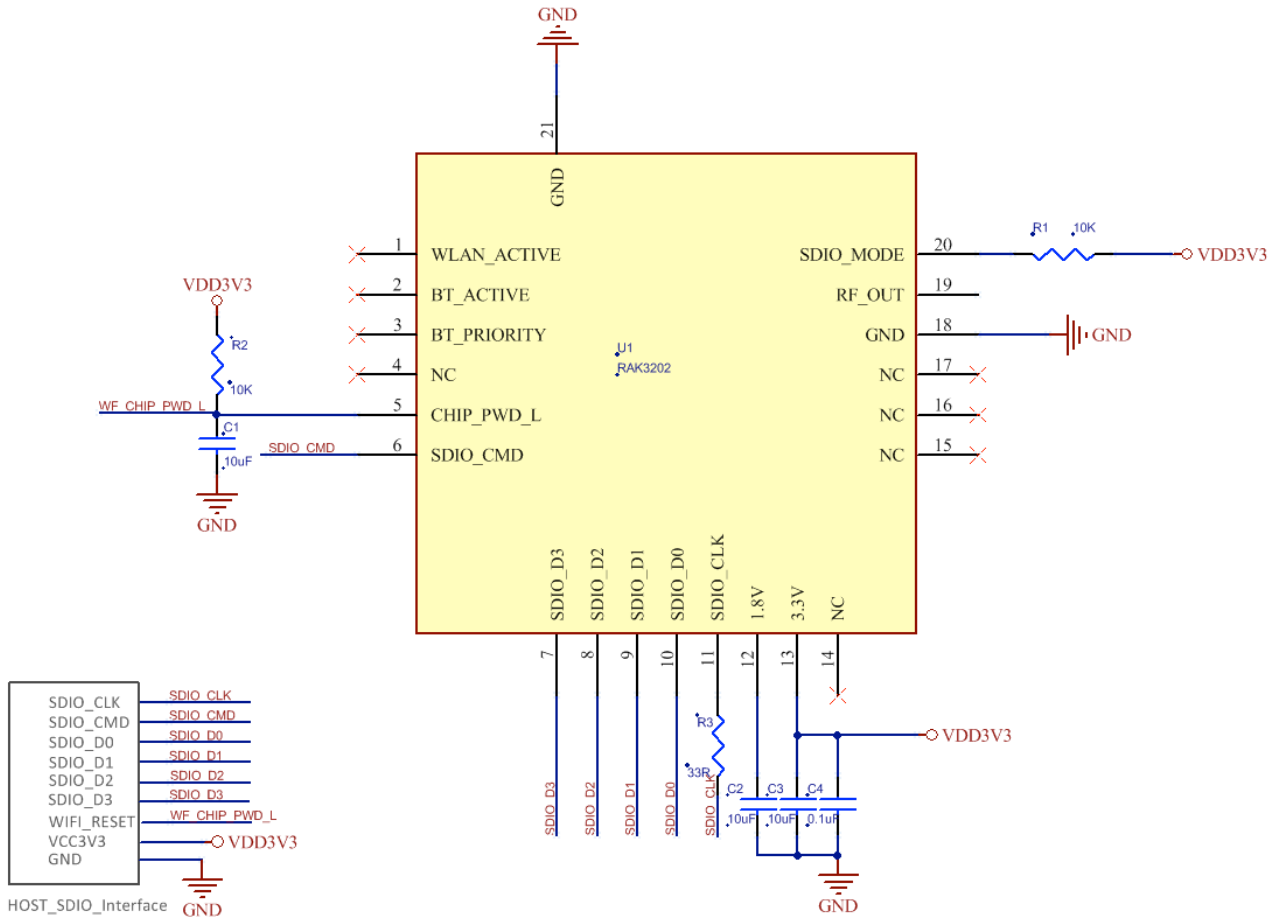


Figure 1-2-1 RAK3202 Design Reference

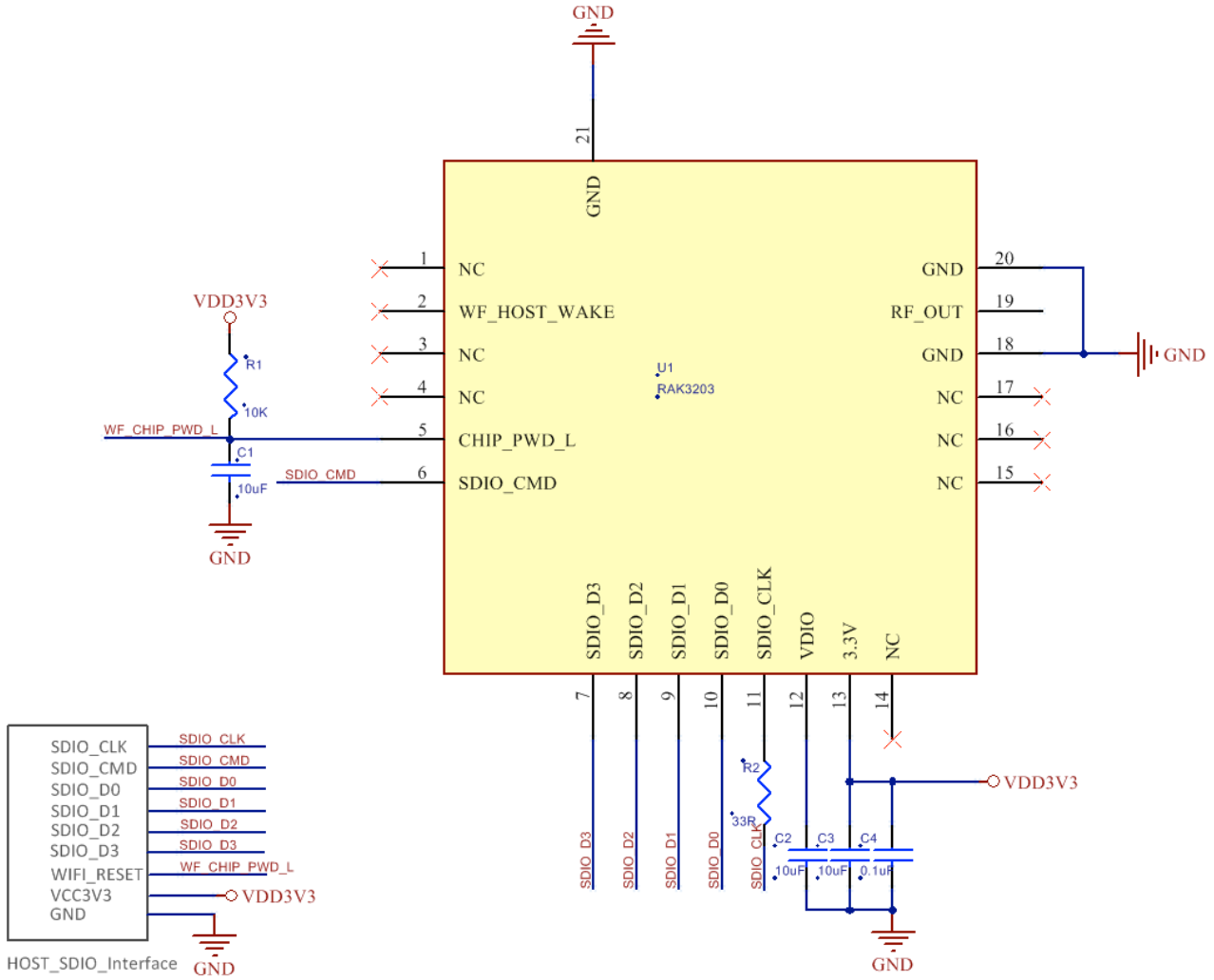


Figure 1-2-2 RAK3203 Design Reference

Note:

- 1 . Different definitions of 20pin
- 2 . If you want to replace the RAK3202 module with RAK3203, to remove the R1.

2. Contact information

Shanghai

FAE mailbox: allan.jin@rakwireless.com

Tel : 021- 61553990

Fax : 021- 54721038

Address: Room B205, Green light kechuang garden, 2588 Lane, Hongmei South road,
Minhang District, Shanghai

Shenzhen

FAE mailbox: steven.tang@rakwireless.com

Tel : 0755-26506594

Fax: 0755-86152201

Address: Room 802, Yongfu building, No.1s06, Yongfu road, Baoan District , Shengzhen

3. Revision History

Version	Author	Modification	Date
V1.0	Lampo	Initial Draft	2016-06-24