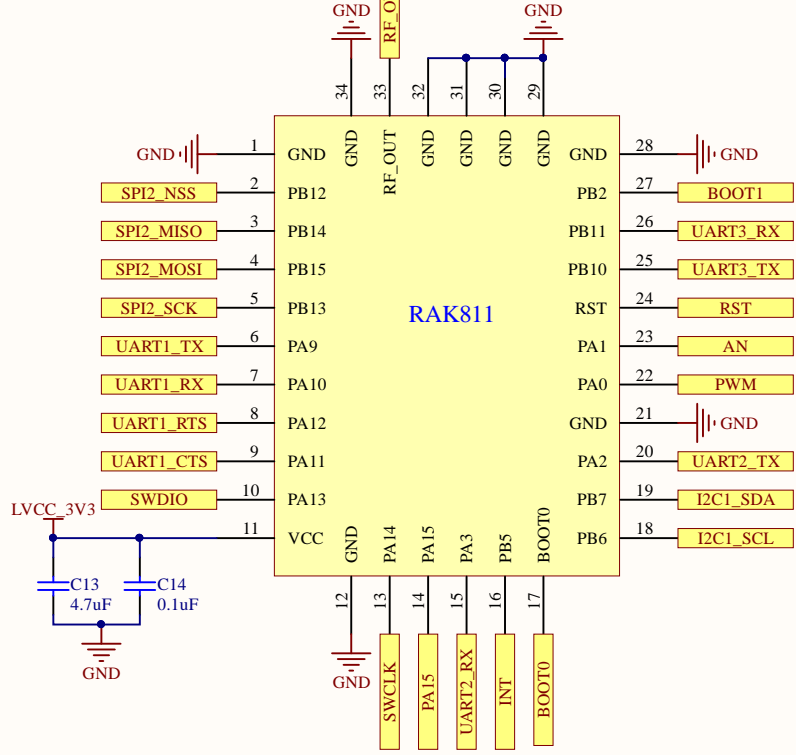
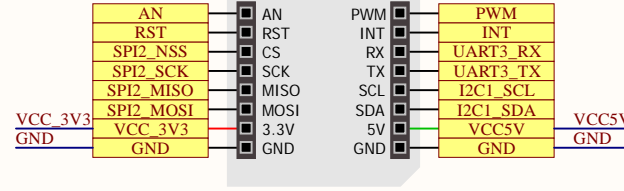


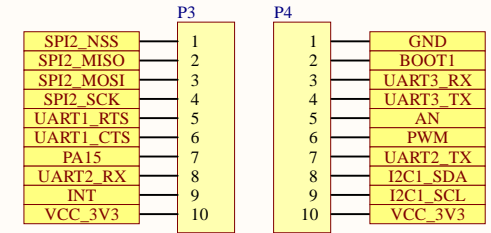
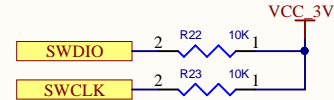
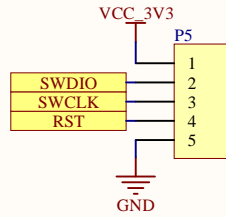
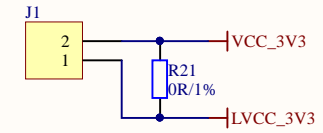
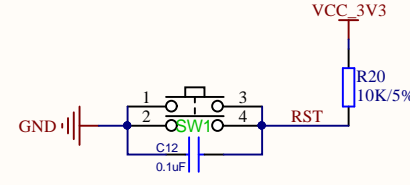
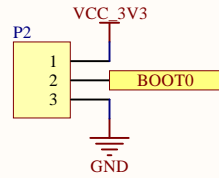
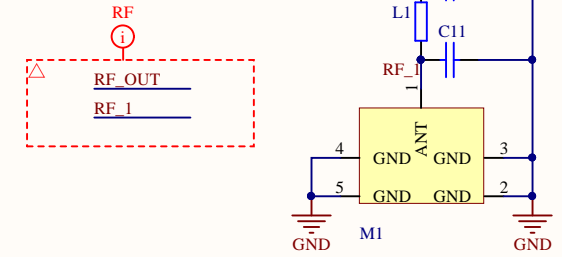
RAK811 NEW PIN



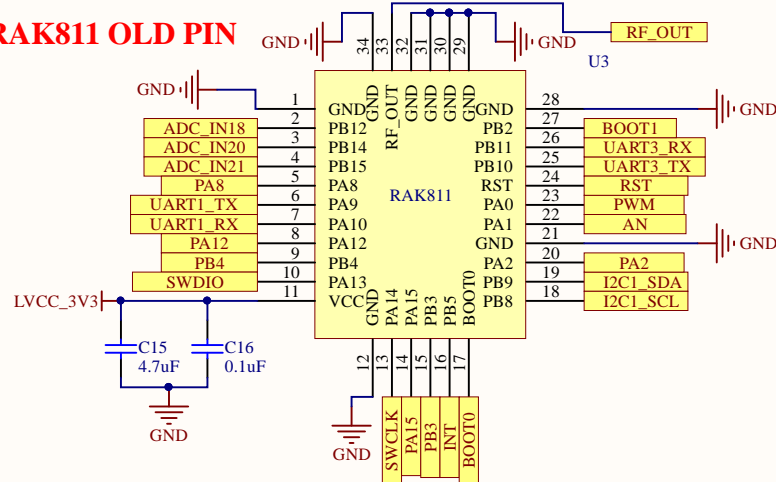
mikroBUS



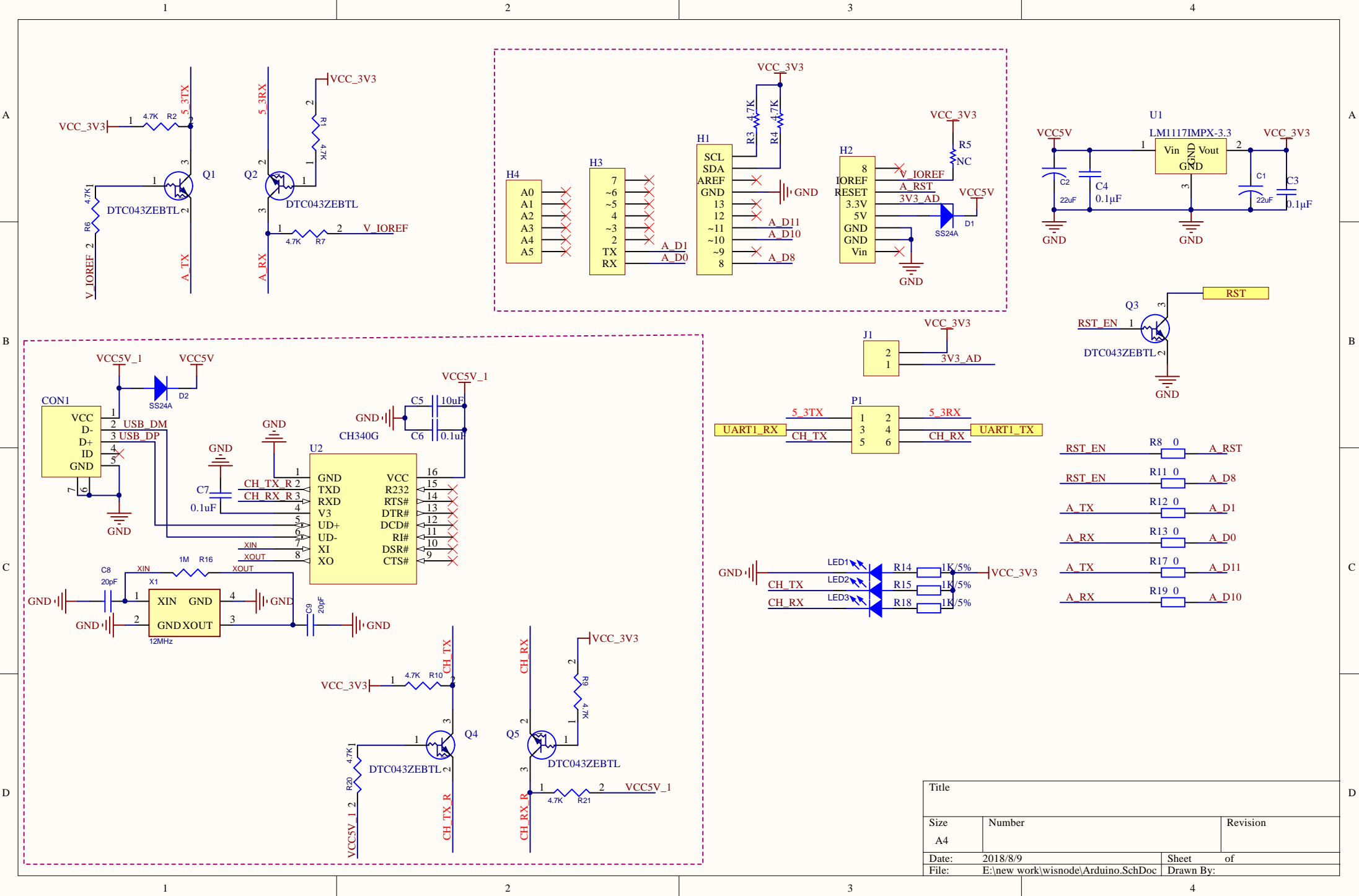
RF OUT



RAK811 OLD PIN



Title		
Size	Number	Revision
A4		
Date:	2018/8/9	Sheet of
File:	E:\new work\wisnode\RAK811.SchDoc	Drawn By:



Title		
Size	Number	Revision
A4		
Date:	2018/8/9	Sheet of
File:	E:\new work\wisnode\Arduino.SchDoc	Drawn By: